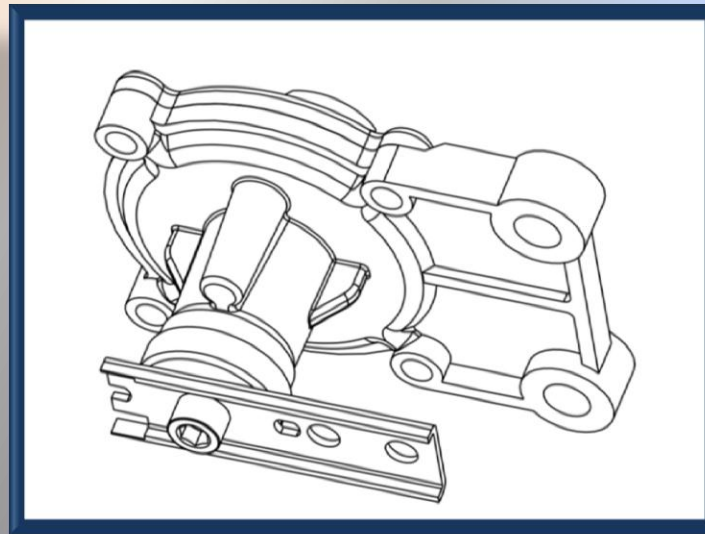


GNOM DP

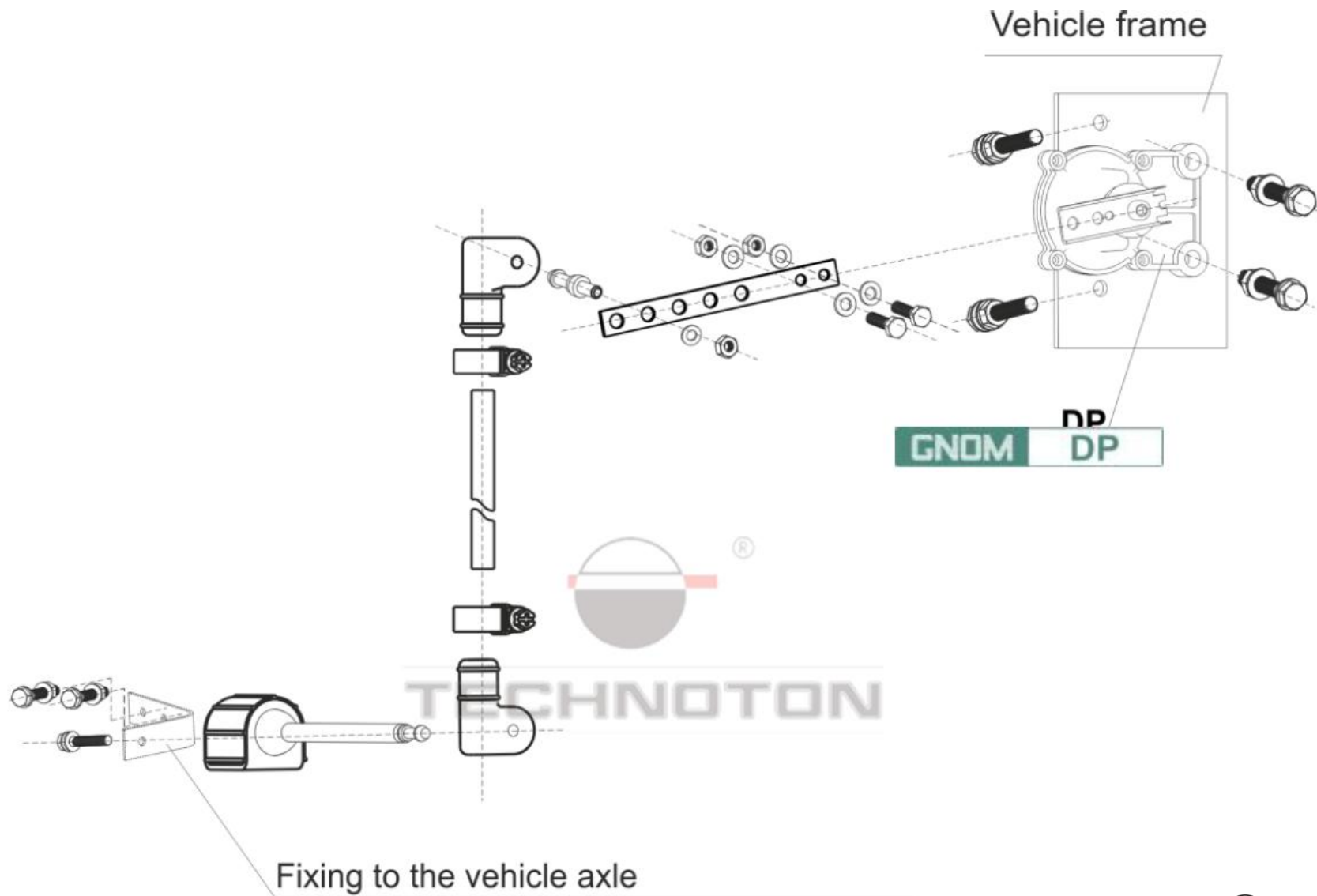
on

Mercedes Actros 2031 with 2 axles



**Axle load sensor for spring suspension
Example of installation**

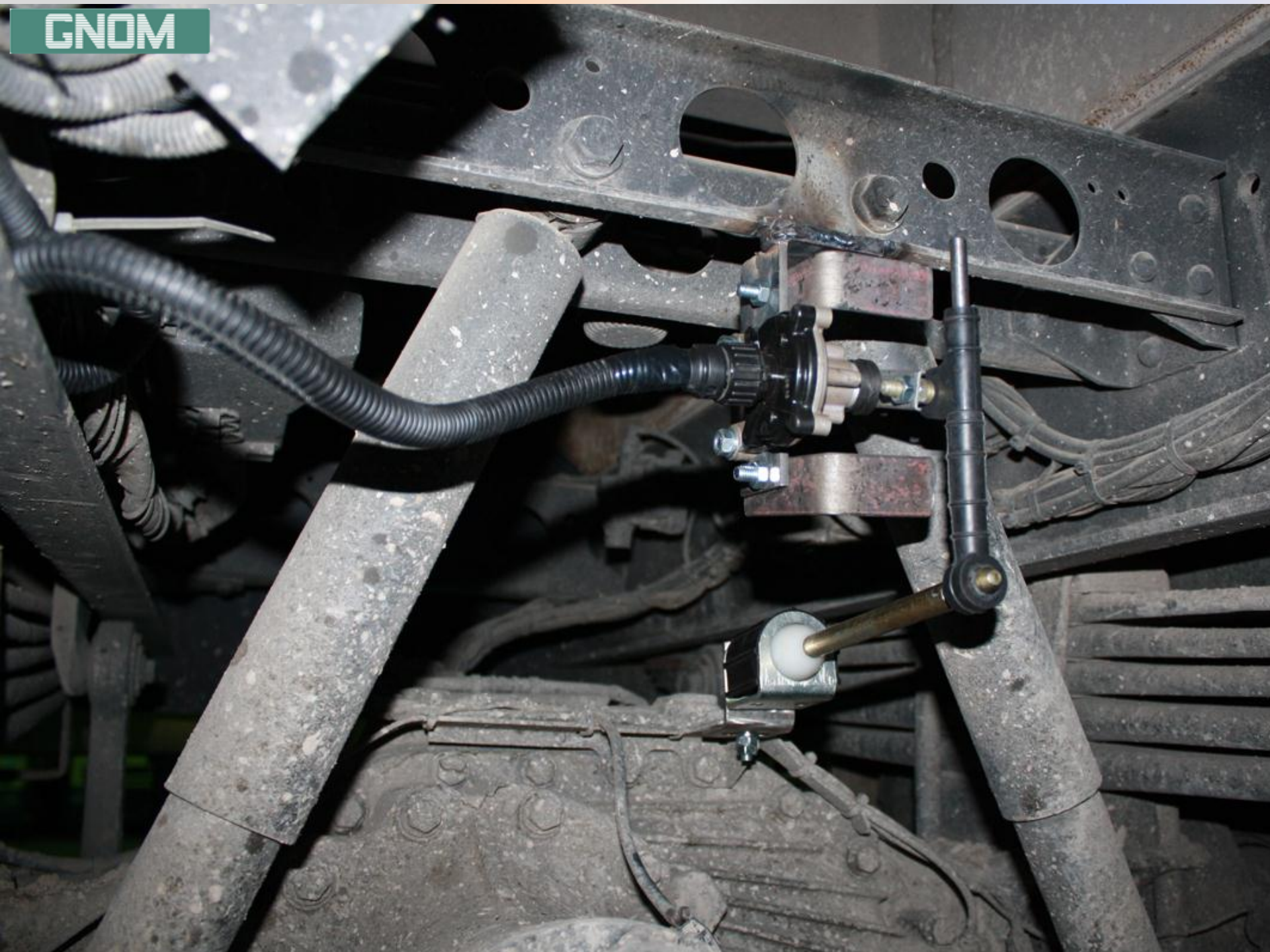








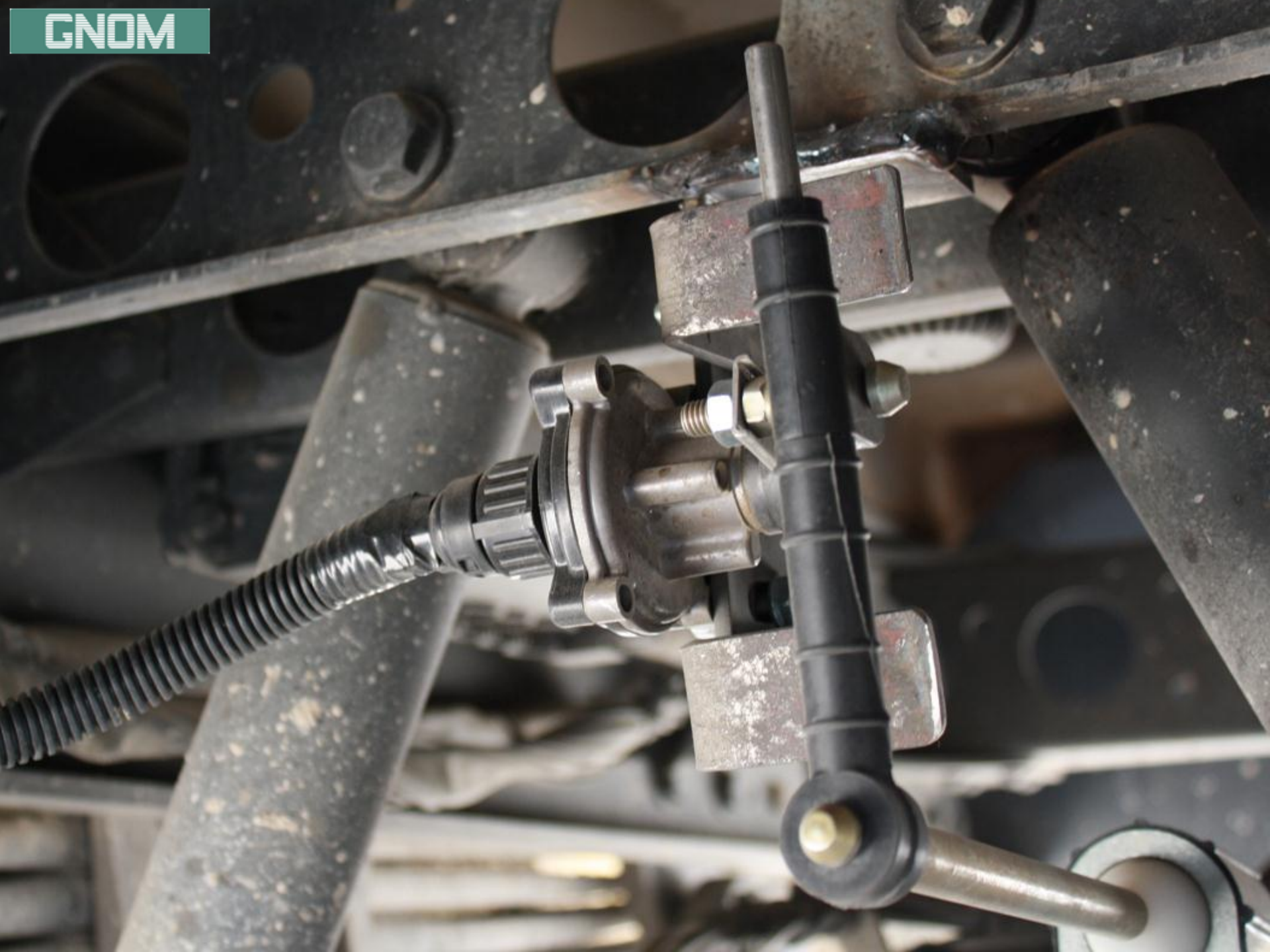




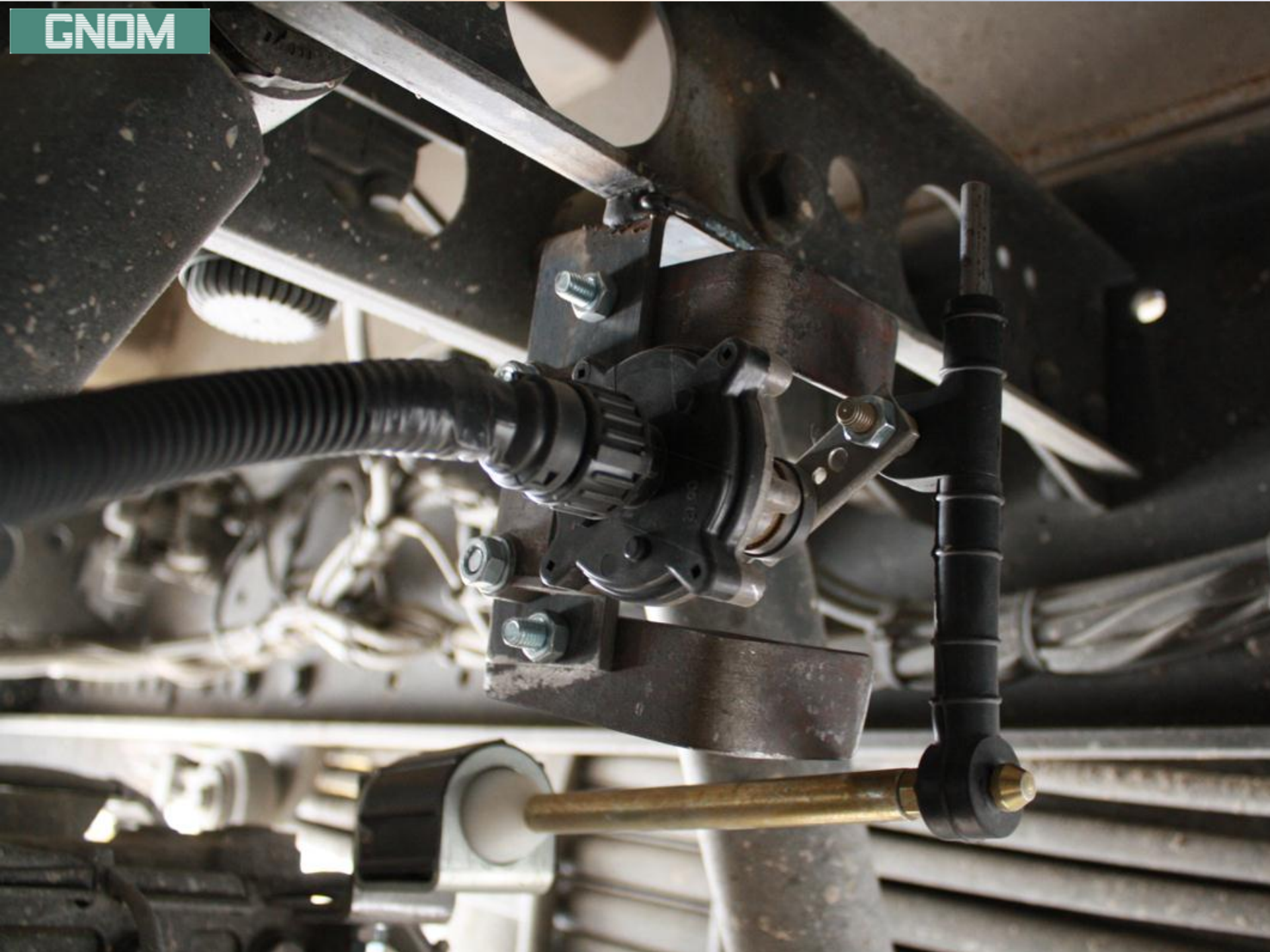














WAGENCONTROL

FUEL MONITORING EXPERT

info@wagencontrol.eu

+420 244 444 045

+420 244 444 046

Prague, Czech Republic

Bubenska 1477/1

Thank you

www.wagencontrol.eu



Wagencontrol – official EU distributor of JV Technoton